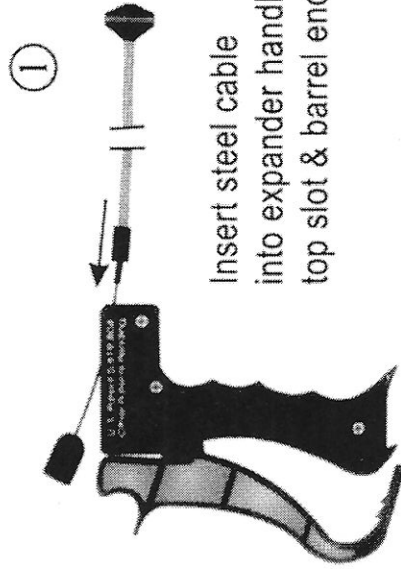


ASP WASSI PIPE PLUGGING KIT

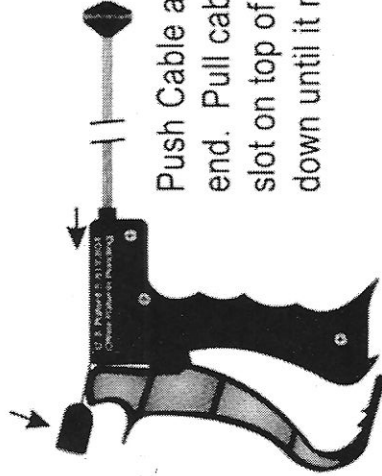
ATLANTA SPECIAL PRODUCTS

CAUTION: Do not heat or solder within 6" of flex cable's expansion end or damage may occur. Use "Hot Dam" Reusable Heat Sink Compound or "Hot Dam Spray Gel" to protect rubber seals from heat damage.



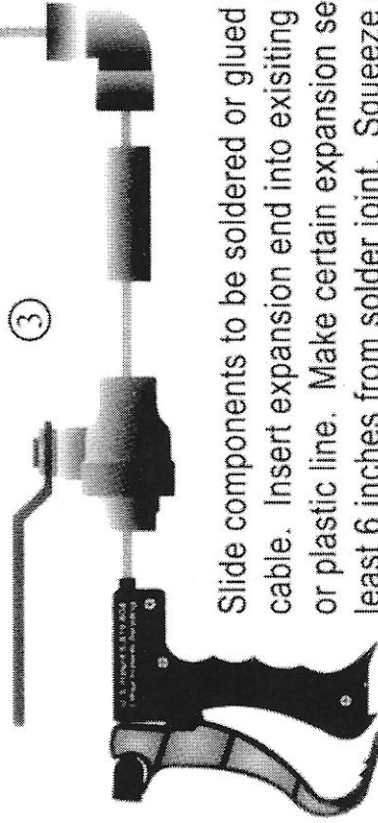
①

Insert steel cable into expander handle's top slot & barrel end.



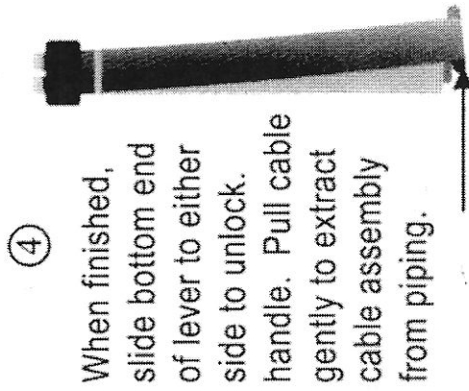
②

Push Cable assembly fully into barrel end. Pull cable actuator knob through slot on top of locking lever and push knob down until it nests on locking lever.



③

Slide components to be soldered or glued onto cable. Insert expansion end into existing copper or plastic line. Make certain expansion seal is at least 6 inches from solder joint. Squeeze expander handle until locking lever fully locks. Solder or glue components.

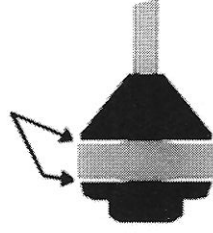


④

When finished, slide bottom end of lever to either side to unlock. Pull cable handle. Pull cable gently to extract cable assembly from piping.

IMPORTANT:

Apply a few drops of light lubricant to both ends of rubber seal to ensure proper expansion and water-tight seal.



(Replacement Components Available)

Distributed by: PipeMan Products, Inc. TF: 1-877-PIPEMAN (747-3626)