



# Operating Instructions Model 29200 and 29201 Hydrostatic Test Pump

## Specifications

<b>Dimension</b>	15" (38cm) L x 10" (25cm) W x 8" (20cm) H
<b>Weight</b>	10.5lbs; 4.8 kg / 11.5 lbs; 5.3 kg
<b>Pump Pressure for 29200</b>	0 - 300psi (21 bar)
<b>Pump Pressure for 29201</b>	0 - 1000psi (70 bar)
<b>Gauge for 29200</b>	Glycerin filled, 0 - 600psi (40 bar)
<b>Gauge for 29201</b>	Glycerin filled, 0-2000psi (138 bar)
<b>Inlet Connection</b>	3/4" Female Garden Hose
<b>Outlet Connection</b>	9/16 - 18 JICF Male
<b>Hose Ends</b>	9/16 - 18 JICF Female Swivel x 1/4" Male NPT
<b>Discharge Hose</b>	1/4" ID x 10' Long

### Pressure Feed Method: (Preferred Method #1)

*This is typically a residential water source with about 40 to 60 psi*

1. Connect water supply hose to the garden hose inlet connection (E) on the pump.
2. Open valve and turn supply water on.
3. Purge the pump and pressure hose of all air. (You may have to pump the handle (B) a few times to get the water to flow out.)
4. Connect output (pressure) hose between pump (F) hose adapter and water line (or vessel) being tested. (Water line or test vessel should be pre-filled with water before the test pump is attached.)
5. Purge water line (or vessel) of all air at the highest point of the system.
6. Bring water line (or vessel) to pressure by quickly pumping handle (B).
7. Watch the gauge while pumping. As you reach the desired pressure; on the downward stroke turn the valve (C) to the 'off' position. If pressure drops off, there is a leak in the line.

### Gravity Feed Method: (Preferred Method #2)

This method requires a tank with a water outlet at the bottom. The water tank's outlet should be level with or above the level of the water inlet connection on the pump. This allows water to flow naturally into the test pump. Follow the "Pressure Feed Method" steps 1 through 7 (listed above)



# Operating Instructions Model 29200 and 29201 Hydrostatic Test Pump

## Siphon Method

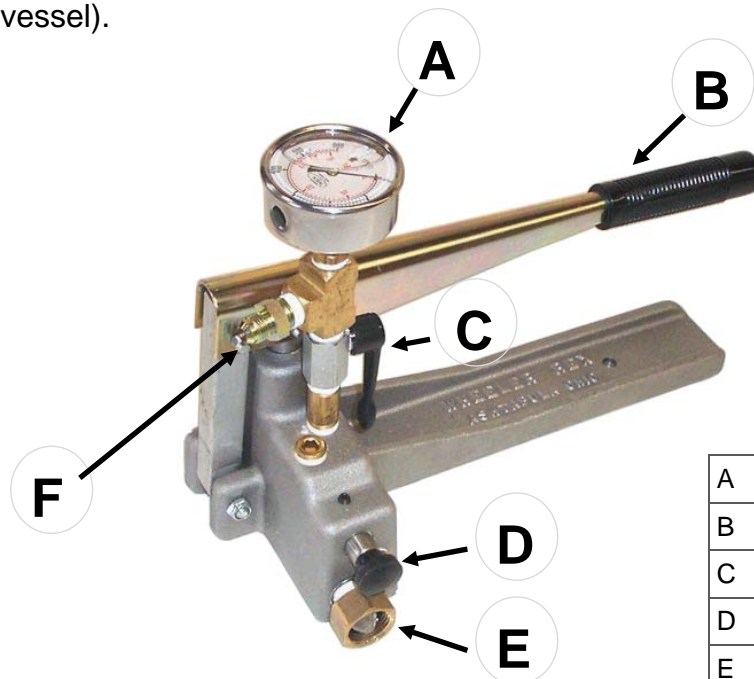
*Use a clean water source*

1. Fill the water line to be tested.
2. Fill the intake hose (hose is not supplied, require PN 34550) with water, then quickly place the hose into a bucket and start pumping handle. (The unit is self-priming once primed.) Continue to pump until you see the water coming out of the outlet, with little or no air mixed with it.
3. Connect the output hose to the water line. Continue on with steps 5 through 7 above.

## Pre-Setting Your Pump

*Your pump can be pre-set to a specific pressure easily by adjusting the pressure relief valve.*

1. Unscrew (counter clockwise direction) pressure relief valve (D). (Note: the valve assembly will not come out of the casting body).
2. Add a ball valve (not supplied with pump) to the end of the high pressure hose.
3. Follow steps 1 through 3 from the 'Pressure Feed Method' above.
4. As water is flowing out of the high pressure hose, turn the ball valve to the off position.
5. Slowly start turning pressure relief valve (in the clockwise direction) by  $\frac{1}{4}$  turn increments as you are pumping the handle, until you reach the desired pressure.
6. Your test pump is now pre-set. This eliminates over-pressurizing the water line (or the vessel).



A	Gauge
B	Handle
C	Ball Valve
D	Pressure Relief Valve
E	Garden Hose Inlet Connection
F	Hose Adapter



# Operating Instructions Model 29200 and 29201 Hydrostatic Test Pump

## Troubleshooting Your Pump

Test pressure not being reached:

- Possible air in air in line (or vessel)
  - ◇ Air needs to be purged from system.
  - ◇ Remove pump from system and follow steps 1 through 6 of the 'Pre-Setting Your Pump' section.
  - ◇ If using the Siphon Method and not getting pressure. Try the 'Pressure Feed Method' or 'Gravity Feed Method' to ensure water is getting into the pump.
- Pressure relief valve not adjusted properly.
  - ◇ Turn relief valve clockwise until it stops.
  - ◇ Check ball is stuck (not allowing water into pump)
    - \* Disconnect from water & drain. Rotate pump upside down and listen for check balls to rattle inside.
    - \* Lightly tap the casting body with a wood block. Rotate & listen for check balls to rattle inside.
- Check O-rings for wear and or cracks. Replace if necessary with Wheeler-Rex rebuild kit PN #29250. Lightly grease each O-ring when rebuilding.

## Pump Maintenance

- Pump 50/50 antifreeze/water solution through pump after each use to avoid freezing & check balls from sticking.
- Rebuild Kit Wheeler Rex PN 29250
- Suction Hose Wheeler Rex PN 34550

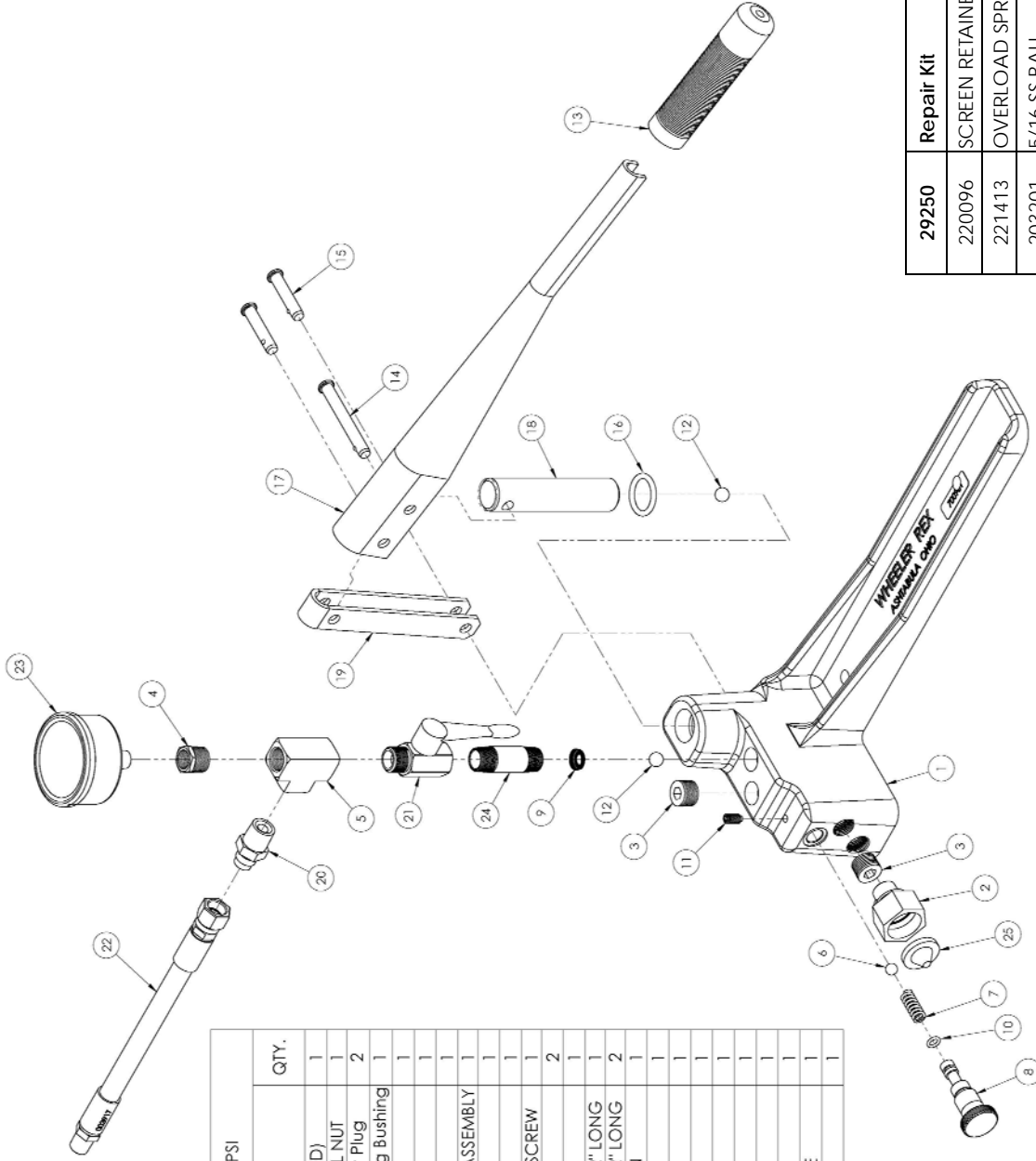
## CAUTION!!

### **This pump is designed for water only!!**

*This pump is equipped with an adjustable pressure relief valve (D), which helps protect the system from being over pressurized. It can be preset by plugging the end of the hose. Turn the adjusting knob clockwise to increase pressure and counterclockwise to decrease.*

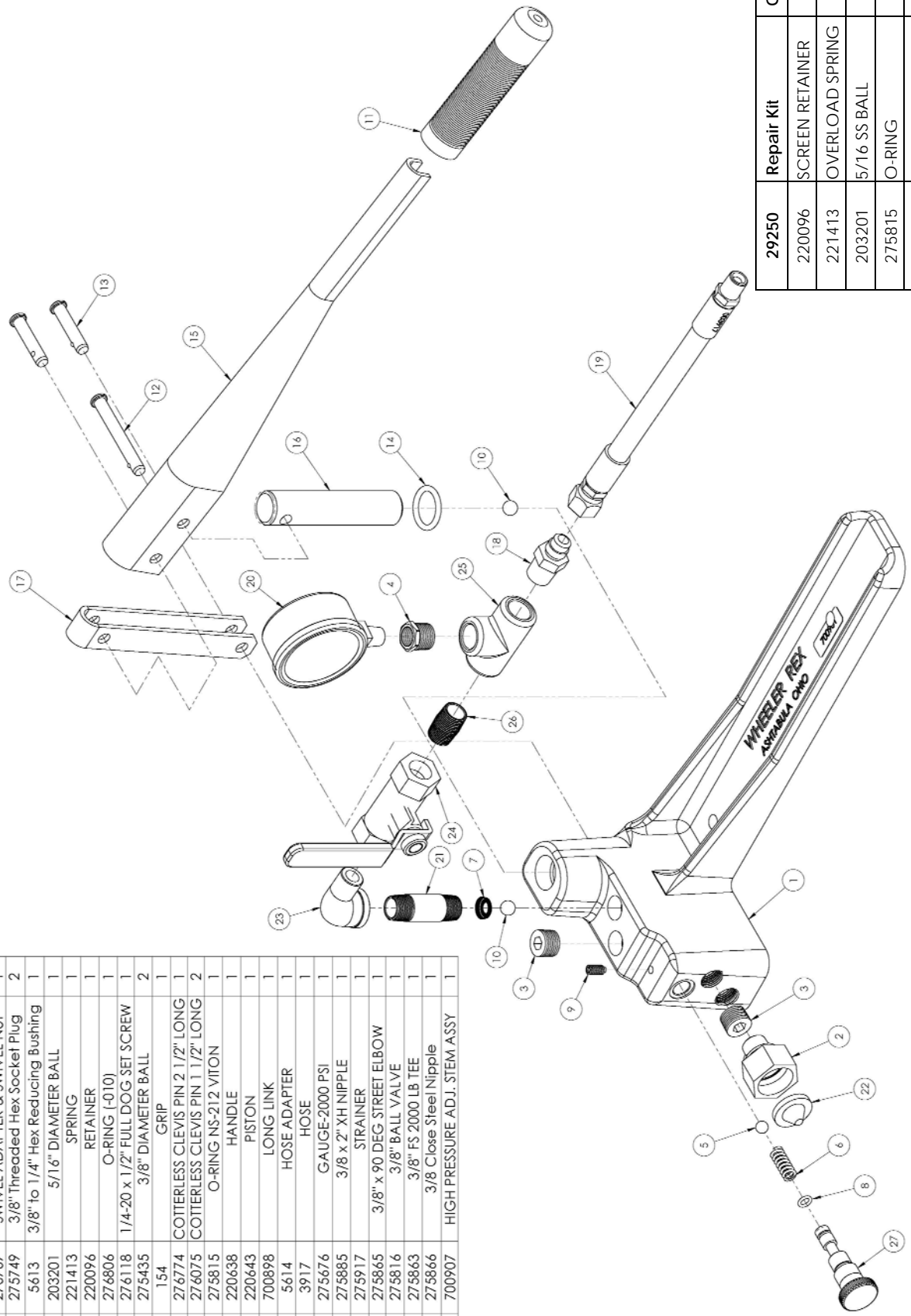
29200 MANUAL TEST PUMP 300 PSI

ITEM NO.	PART NUMBER	DESCRIPTION	QTY.
1	700902	PUMP BODY (MACHINED)	1
2	276767	SWIVEL ADAPTER & SWIVEL NUT	1
3	275749	3/8" Threaded Hex Socket Plug	2
4	275924	1/4" to 3/8" Brass Hex Reducing Bushing	1
5	275923	3/8-18 NPT TEE	1
6	203201	5/16" DIAMETER BALL	1
7	221413	SPRING	1
8	700904	STANDARD ADJUSTING STEM ASSEMBLY	1
9	220096	RETAINER	1
10	276806	O-RING (-010)	1
11	276118	1/4-20 x 1/2" FULL DOG SET SCREW	1
12	275435	3/8" DIAMETER BALL	2
13	154	GRIP	1
14	276774	COTTERLESS CLEVIS PIN 2 1/2" LONG	1
15	276075	COTTERLESS CLEVIS PIN 1 1/2" LONG	2
16	275815	O-RING NS-212 VITON	1
17	220638	HANDLE	1
18	220643	PISTON	1
19	700898	LONG LINK	1
20	5614	HOSE ADAPTER	1
21	275921	3/8-18 NPT VALVE	1
22	3917	HOSE	1
23	36359	0-600 PSI GAUGE	1
24	275919	3/8-18 NPT x 2" NIPPLE	1
25	275917	STRAINER	1



29250	Repair Kit	Qty
220096	SCREEN RETAINER	1
221413	OVERLOAD SPRING	1
203201	5/16 SS BALL	1
275815	O-RING	1
275435	38/ SS BALL	2
275917	STRAINER WASHER	1
276806	O-RING	1

29201 MANUAL TEST PUMP 1000 PSI			
ITEM NO.	PART NUMBER	DESCRIPTION	QTY.
1	700902	PUMP BODY (MACHINED)	1
2	276767	SWIVEL ADAPTER & SWIVEL NUT	1
3	275749	3/8" Threaded Hex Socket Plug	2
4	5613	3/8" to 1/4" Hex Reducing Bushing	1
5	203201	5/16" DIAMETER BALL	1
6	221413	SPRING	1
7	220096	RETAINER	1
8	276806	O-RING (-010)	1
9	276118	1/4-20 x 1/2" FULL DOG SET SCREW	1
10	275435	3/8" DIA METER BALL	2
11	154	GRIP	1
12	276774	COTTERLESS CLEVIS PIN 2 1/2" LONG	1
13	276075	COTTERLESS CLEVIS PIN 1 1/2" LONG	2
14	275815	O-RING NS-212 VITON	1
15	220638	HANDLE	1
16	220643	PISTON	1
17	700898	LONG LINK	1
18	5614	HOSE ADAPTER	1
19	3917	HOSE	1
20	275676	GAUGE-2000 PSI	1
21	275885	3/8 x 2" XH NIPPLE	1
22	275917	STRAINER	1
23	275865	3/8" x 90 DEG STREET ELBOW	1
24	275816	3/8" BALL VALVE	1
25	275863	3/8" FS 2000 LB TEE	1
26	275866	3/8 Close Steel Nipple	1
27	700907	HIGH PRESSURE ADJ. STEM ASSY	1



29250	Repair Kit	Qty
220096	SCREEN RETAINER	1
221413	OVERLOAD SPRING	1
203201	5/16 SS BALL	1
275815	O-RING	1
275435	38/ SS BALL	2
275917	STRAINER WASHER	1
276806	O-RING	1





## WHEELER-REX LIMITED LIFETIME WARRANTY

WHEELER-REX covers its products with a Limited Lifetime Warranty, with exception of pipe threading machines which have a Limited Three Year Warranty (including electric motors). Warranties from manufacturers of components used in our products may pre-empt the Wheeler-Rex warranty. Wheeler-Rex warranties against defects in material or workmanship. To take advantage of this warranty, the complete product must be delivered prepaid to Wheeler-Rex or any WHEELER-REX AUTHORIZED SERVICE CENTER. No tools are to be returned to the factory without receiving prior authorization. Obviously, failures due to misuse, abuse, or normal wear and tear are not covered by this warranty. **NO OTHER WARRANTY, WRITTEN, OR ORAL, APPLIES. THERE ARE NO WARRANTIES WHICH EXTEND BEYOND THE DESCRIPTION ON THE FACE HEREOF.** No employee, agent, dealer, or other person is authorized to give any warranty on behalf of Wheeler-Rex. Warranted products will be repaired or replaced at our option, at no charge and returned to you via prepaid transportation. Such replacement or repair is the exclusive remedy available from Wheeler-Rex. Wheeler-Rex is not liable for damage of any sort, including incidental and consequential damages. Some U.S.A. states do not allow the exclusion or limitation of incidental or consequential damages, so the above limitation or exclusion may not apply. This warranty gives you specific legal rights, and you may also have other rights which vary from state to state.

Form # 1031

## WARNING

### GENERAL TOOL OPERATION WARNINGS

#### FOR ALL TOOLS-

1. **Keep Guards in Place** and in working order.
2. **Remove Adjusting Keys and Wrenches** from tool before turning it on.
3. **Keep Work Area Clean.** Cluttered areas and benches invite accidents.
4. **Avoid Dangerous Environment.** Don't use power tools in damp or wet locations. Keep work area well lit. Don't expose power tools to rain.
5. **If you must use an electric tool in a damp or wet location;** make sure it is plugged into a circuit which is protected by a ground fault interrupt.
6. **Keep Children Away. ALL VISITORS SHOULD BE KEPT A SAFE DISTANCE FROM WORK AREA.**
7. **Store Idle Tools** in dry, high, or locked-up place out of reach of children.
8. **Don't Force Tool.** It will do a better and safer job at the rate for which it is designed.
9. **Use Right Tool.** Don't force a small tool or attachment to do the job of a heavy-duty tool.
10. **Wear Proper Apparel.** No loose clothing or jewelry to get caught in moving parts. Rubber gloves and footwear are recommended when working outdoors.
11. **Use Safety Glasses.**
12. **Don't Abuse Cord.** Never carry tool by cord or yank it to disconnect from receptacle. Keep cord from heat, oil, and sharp edges.
13. **Secure Work.** Use clamps or vise to hold work when practical. It's safer than using your hand and it frees both hands to operate tool.
14. **Don't Overreach.** Keep proper footing and balance at all times.
15. **Maintain Tools Properly.** Keep tools sharp and clean for best and safest performance. Follow instructions for lubricating and changing accessories. Equipment operators must have proper maintenance & instruction sheets. Be sure the tool operator reads and understands this information. If you don't have current maintenance and instruction sheets, contact the factory & we will supply them at no charge.
16. **Disconnect Tools** when not in use; before servicing; when changing accessories such as dies, cutters, etc.
17. **Avoid Accidental Starting.** Don't carry plugged-in tool with finger on switch. Be sure switch is off when plugging in.
18. **Outdoor Use Extension Cords.** When tool is used outdoors, use only extension cords suitable for use outdoors and so marked.
19. **Wear Ear Protection** if exposed to long periods of very noisy shop operations.
20. **Do not operate tools** while under the influence of alcohol, drugs or medication.