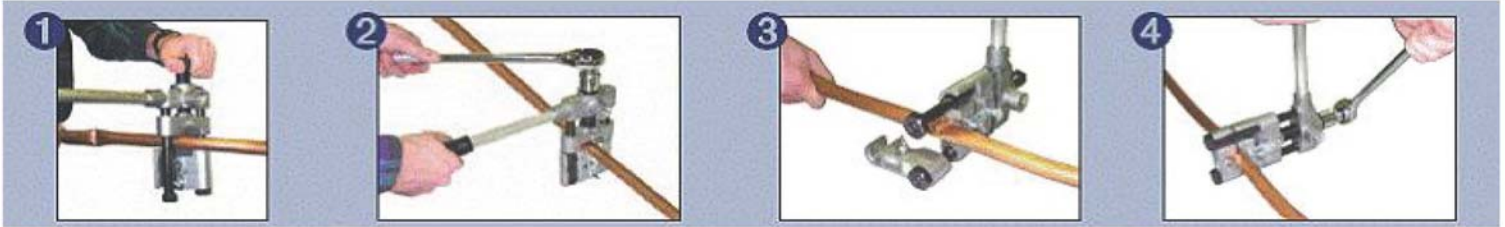




# Wheeler Rex Shut Off Tools



<p>1 To shut off flow, place tool over tube, swing dies onto guide rods and latch. Tool handle can be repositioned for confined working spaces.</p>	<p>2 Use ratchet to compress Shut-off tool dies. Needs only enough compression to stop flow. Watertight closure is maintained while the tool (or holding clamp) is affixed to the tube.</p>	<p>3 To restore flow, remove tool and rotate 90°. Using the bottom two dies, reattach tool so that the reforming dies are properly located around flattened tube edges.</p>	<p>4 Use ratchet to compress reforming dies. Die shape will prevent over-forming and fatiguing tube walls as flow is restored.</p>
---	---	---	--



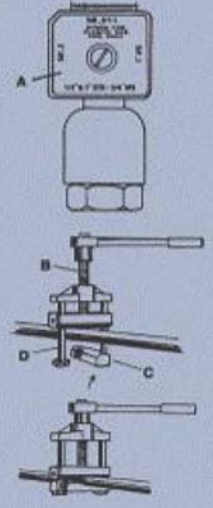
Wheeler-Rex Shut-Off tools effectively compress soft copper tubing to shut off water flow.

Our unique reforming dies prevent flattened tube edges from overworking and cracking. The loss of head is no more than through a 90° elbow.

## OPERATING INSTRUCTIONS FOR MODEL 77

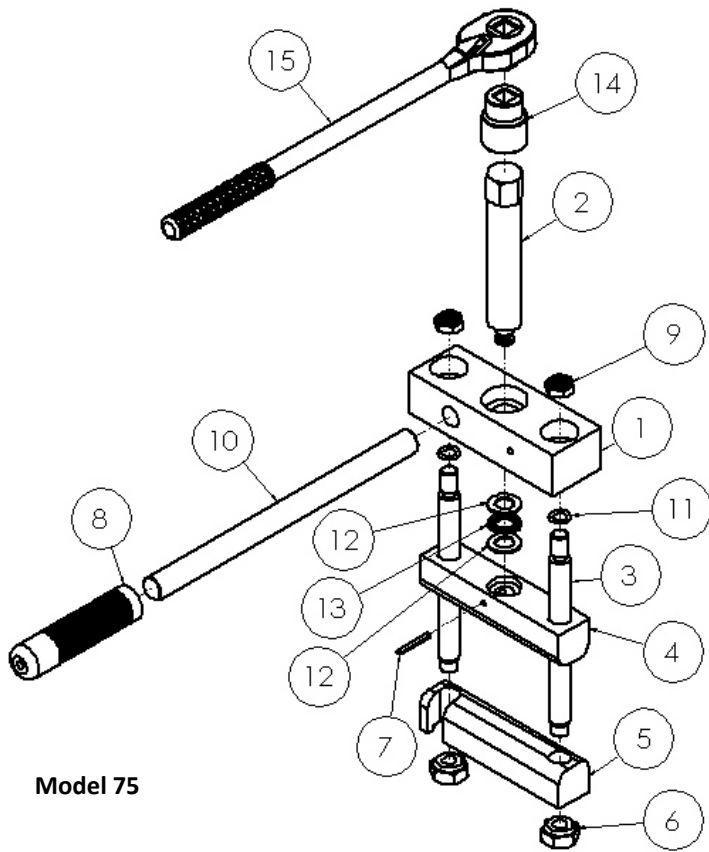
- 1 Each end of the upper die is fitted with a closure stop cam (A). Rotate the cams to the size/type line to be shut-off. The cams restrict closure travel so as to limit compression cold flow. **DO NOT USE THIS SHUT-OFF TOOL ON METAL PIPE OR TUBING.**
- 2 Back off the compressor screw (B) to release the lower die (C) and engage the tool over the pipe as illustrated. Swing the lower die back over the guide rod (D) and seat it on the guide rod nuts.
- 3 Center the pipe between the guide rods and turn the compressor screw using the ratchet provided until flow has been shut-off. Wait 30 to 60 sec. and then tighten the compressor screw again. The unique flat compression faces result in positive shut-off with minimum cold flow.

Contact Wheeler-Rex for additional cautionary instructions before using these tools.

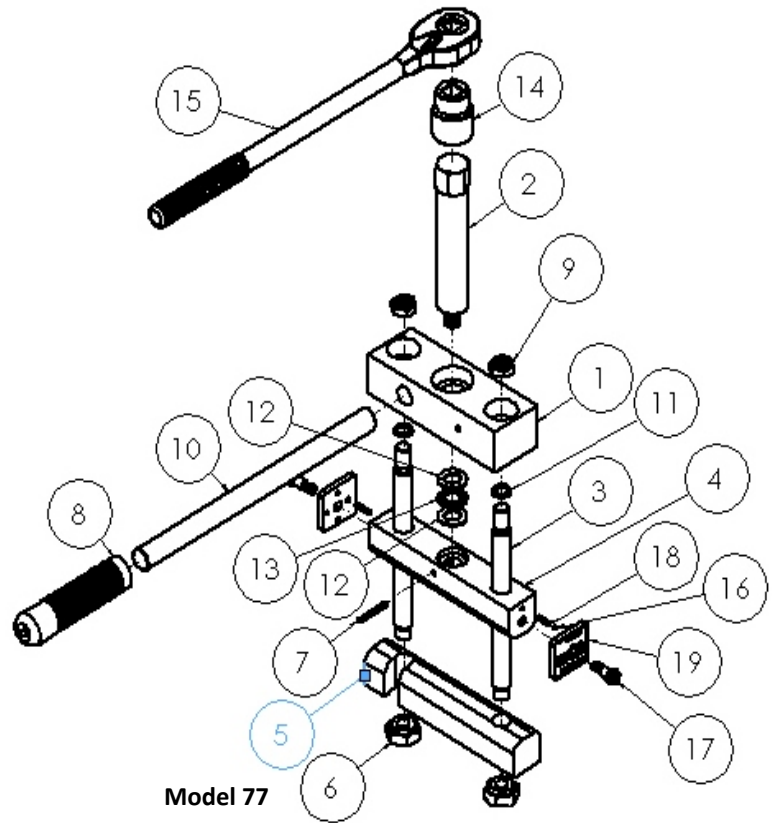




# Wheeler Rex 75 and 77 Shut Off Tools



Model 75



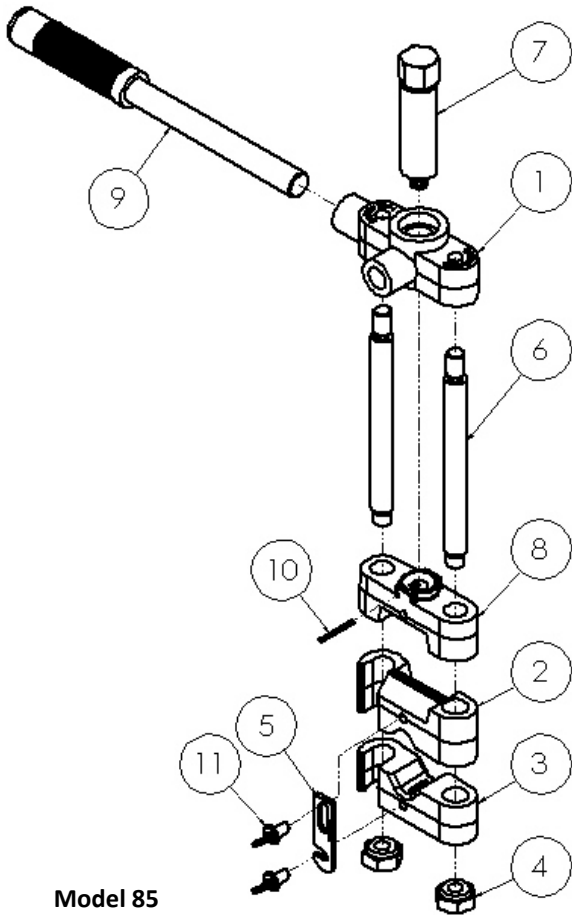
Model 77

Model 75 Item No	Part No	Description	Qty
1	220176	HEAD	1
2	221206	COMPRESSOR SCREW	1
3	65141	GUIDE ROD	2
4	221195	TOP DIE	1
5	221204	BOTTOM DIE	1
6	65142	GUIDE ROD NUT	2
7	1708	5/32 DIA X 1-1/4" ROLL PIN	1
8	154	GRIP	1
9	3828	1/2"-13 ESNA NUT	2
10	6526	HANDLE	1
11	275746	O-RING-111	2
12	275828	THRUST RACE	2
13	275827	THRUST BEARING	1
14	506032	1" SOCKET	1
15	6515	RATCHET, 1/2" SQUARE DRIVE MALE	1

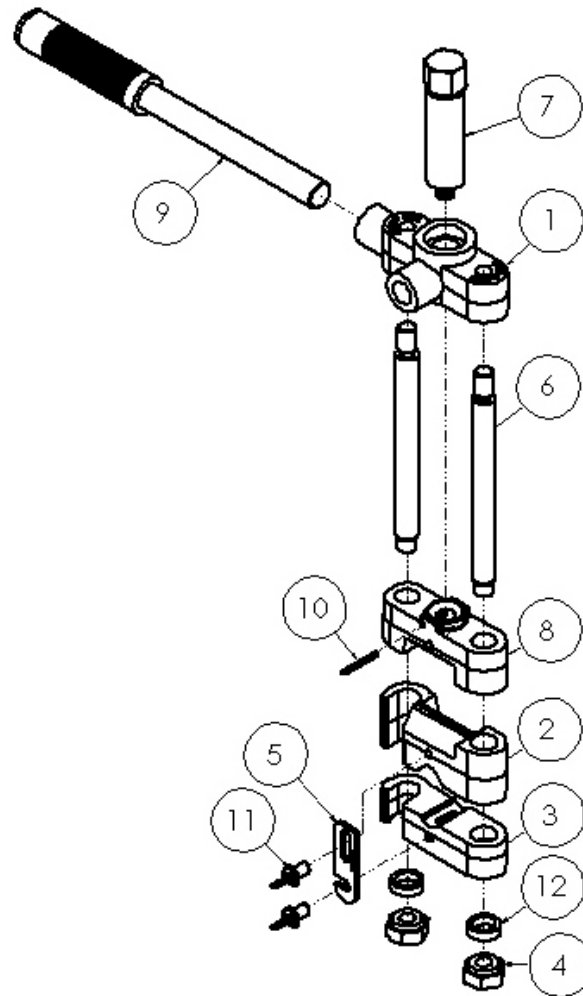
Model 77 Item No	Part No	Description	Qty
1	220176	HEAD	1
2	221206	COMPRESSOR SCREW	1
3	65141	GUIDE ROD	2
4	221203	TOP DIE	1
5	221070	LOWER DIE	1
6	65142	GUIDE ROD NUT	2
7	1708	5/32 DIA X 1-1/4" ROLL PIN	1
8	154	GRIP	1
9	3828	1/2"-13 ESNA NUT	2
10	6526	HANDLE	1
11	275746	O-RING-111	2
12	275828	THRUST RACE	2
13	275827	THRUST BEARING	1
14	506032	1" SOCKET	1
15	6515	RATCHET, 1/2" SQUARE DRIVE MALE	1
16	275149	BALL	2
17	275825	5/16 X 3/8 SHOULDER SCREW	2
18	275824	SPRING	2
19	221202	CLOSURE STOP CAM	2



# Wheeler Rex 85 and 86 Shut Off Tools



Model 85



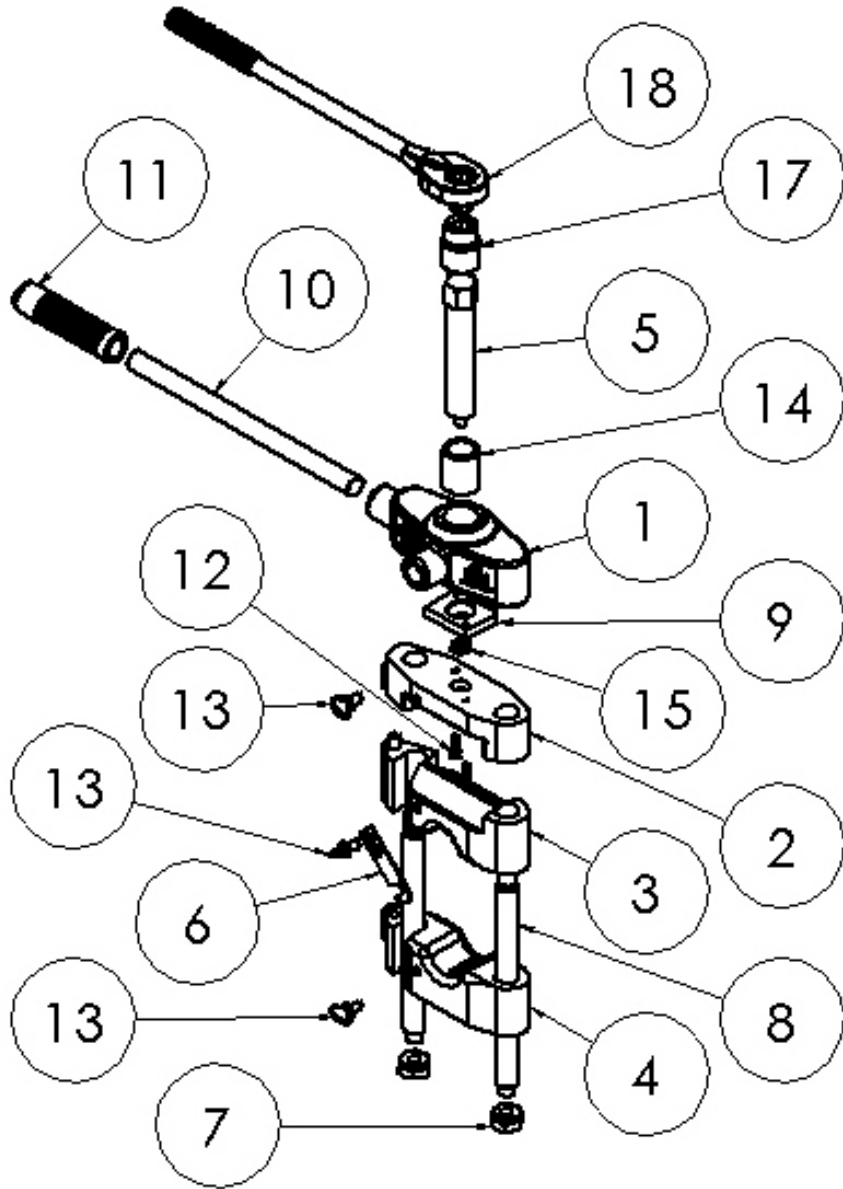
Model 86

Model 85 Item No	Part No	Description	Qty
1	221185	HEAD ASSEMBLY	1
2	221188	COMBINATION DIE	1
3	221190	REFORMING DIE	1
4	65142	GUIDE ROD NUT	2
5	6510	LATCH	1
6	65141	GUIDE ROD	2
7	221192	COMPRESSOR SCREW	1
8	221186	COMPRESSOR DIE ASSEMBLY	1
9	652	HANDLE ASSEMBLY	1
10	275053	1/8 DIAMETER X 1-1/4" ROLL PIN	1
11	6511	THUMB SCREW	21
12	506032	1" SOCKET *NOT SHOWN*	1
13	6515	MALE 1/2" SQUARE DRIVE RATCHET *NOT SHOWN*	1

Model 86 Item No	Part No	Description	Qty
1	221185	HEAD ASSEMBLY	1
2	221188	COMBINATION DIE	1
3	221193	REFORMING DIE	1
4	65142	GUIDE ROD NUT	2
5	6510	LATCH	1
6	65141	GUIDE ROD	2
7	221192	COMPRESSOR SCREW	1
8	221186	COMPRESSOR DIE ASSEMBLY	1
9	652	HANDLE ASSEMBLY	1
10	275053	1/8 DIAMETER X 1-1/4" ROLL PIN	1
11	6511	THUMB SCREW	21
12	6551	SPACER BUSHING	1
13	6515	MALE 1/2" SQUARE DRIVE RATCHET *NOT SHOWN*	1



# Wheeler Rex 70 Shut Off Tool



Model 70 Item No	Part Number	Description	Qty
1	7013	HEAD	1
2	706	COMPRESSOR DIE	1
3	7070	COMBINATION DIE	1
4	708	REFORMING DIE	1
5	703	COMPRESSOR SCREW	1
6	7010	LATCH	1
7	70142	GUIDE ROD NUT	2
8	70141	GUIDE ROD	2
9	6512	PRESSURE PLATE	1
10	6526	HANDLE	1
11	154	GRIP	1
12	6513	#10-24SHCS	2
13	6511	THUMB SCREW	3
14	7012	INSERT	1
15	654	5/16-24 HEX NUT THIN	1
16	275302	DOWEL PIN	1
17	506032	1" SOCKET	1
18	6515	RATCHET, 1/2" SQUARE DRIVE MALE	1



# Wheeler Rex Shut Off Tools

## WARNING

### GENERAL TOOL OPERATION WARNINGS

#### FOR ALL TOOLS-

1. **Keep Guards in Place** and in working order.
2. **Remove Adjusting Keys and Wrenches** from tool before turning it on.
3. **Keep Work Area Clean.** Cluttered areas and benches invite accidents.
4. **Avoid Dangerous Environment.** Don't use power tools in damp or wet locations. Keep work area well lit. Don't expose power tools to rain.
5. **If you must use an electric tool in a damp or wet location;** make sure it is plugged into a circuit which is protected by a ground fault interrupt.
6. **Keep Children Away. ALL VISITORS SHOULD BE KEPT A SAFE DISTANCE FROM WORK AREA.**
7. **Store Idle Tools** in dry, high, or locked-up place out of reach of children.
8. **Don't Force Tool.** It will do a better and safer job at the rate for which it is designed.
9. **Use Right Tool.** Don't force a small tool or attachment to do the job of a heavy-duty tool.
10. **Wear Proper Apparel.** No loose clothing or jewelry to get caught in moving parts. Rubber gloves and footwear are recommended when working outdoors.
11. **Use Safety Glasses.**
12. **Don't Abuse Cord.** Never carry tool by cord or yank it to disconnect from receptacle. Keep cord from heat, oil, and sharp edges.
13. **Secure Work.** Use clamps or vise to hold work when practical. It's safer than using your hand and it frees both hands to operate tool.
14. **Don't Overreach.** Keep proper footing and balance at all times.
15. **Maintain Tools Properly.** Keep tools sharp and clean for best and safest performance. Follow instructions for lubricating and changing accessories. Equipment operators must have proper maintenance & instruction sheets. Be sure the tool operator reads and understands this information. If you don't have current maintenance and instruction sheets, contact the factory & we will supply them at no charge.
16. **Disconnect Tools** when not in use; before servicing; when changing accessories such as dies, cutters, etc.
17. **Avoid Accidental Starting.** Don't carry plugged-in tool with finger on switch. Be sure switch is off when plugging in.
18. **Outdoor Use Extension Cords.** When tool is used outdoors, use only extension cords suitable for use outdoors and so marked.
19. **Wear Ear Protection** if exposed to long periods of very noisy shop operations.
20. **Do not operate tools** while under the influence of alcohol, drugs or medication.



## WHEELER-REX LIMITED LIFETIME WARRANTY

WHEELER-REX covers its products with a Limited Lifetime Warranty, with exception of pipe threading machines which have a Limited Three Year Warranty (including electric motors). Warranties from manufacturers of components used in our products may pre-empt the Wheeler-Rex warranty. Wheeler-Rex warrants against defects in material or workmanship. To take advantage of this warranty, the complete product must be delivered prepaid to Wheeler-Rex or any WHEELER-REX AUTHORIZED SERVICE CENTER. No tools are to be returned to the factory without receiving prior authorization. Obviously, failures due to misuse, abuse, or normal wear and tear are not covered by this warranty. **NO OTHER WARRANTY, WRITTEN, OR ORAL, APPLIES. THERE ARE NO WARRANTIES WHICH EXTEND BEYOND THE DESCRIPTION ON THE FACE HEREOF.** No employee, agent, dealer, or other person is authorized to give any warranty on behalf of Wheeler-Rex. Warranted products will be repaired or replaced at our option, at no charge and returned to you via prepaid transportation. Such replacement or repair is the exclusive remedy available from Wheeler-Rex. Wheeler-Rex is not liable for damage of any sort, including incidental and consequential damages. Some U.S.A. states do not allow the exclusion or limitation of incidental or consequential damages, so the above limitation or exclusion may not apply. This warranty gives you specific legal rights, and you may also have other rights which vary from state to state.

Form # 1031