

# JCM 422 Carbon Steel Tapping Sleeves for PVC & Steel Pipe Sizes

Built-in benefits make JCM 422 Tapping Sleeves the ideal selection for tapping and branching IPS sized PVC, Steel, High Density Polyethylene Pipe and C-900 PVC. These sleeves are designed to reinforce the pipe and assure simple, safe installation - even under the most adverse field conditions. The extra wide reinforcement and exact fit of these sleeves provide reinforcement which strengthens the PVC pipe and prevents pipe stress at the branch.

### Built-in Corrosion Resistance

JCM 422 Tapping Sleeves are furnished standard Fusion Epoxy Coated with Hot Dipped Galvanized Bolts.

### Heavy Gasket Best for PVC Pipe

JCM 422 Tapping Sleeves utilize a broad, heavy gasket with hydro-mechanical lip to assure a positive seal on PVC pipe with its normal expansion-contraction characteristics.

### Extra Wide for Support and Stability

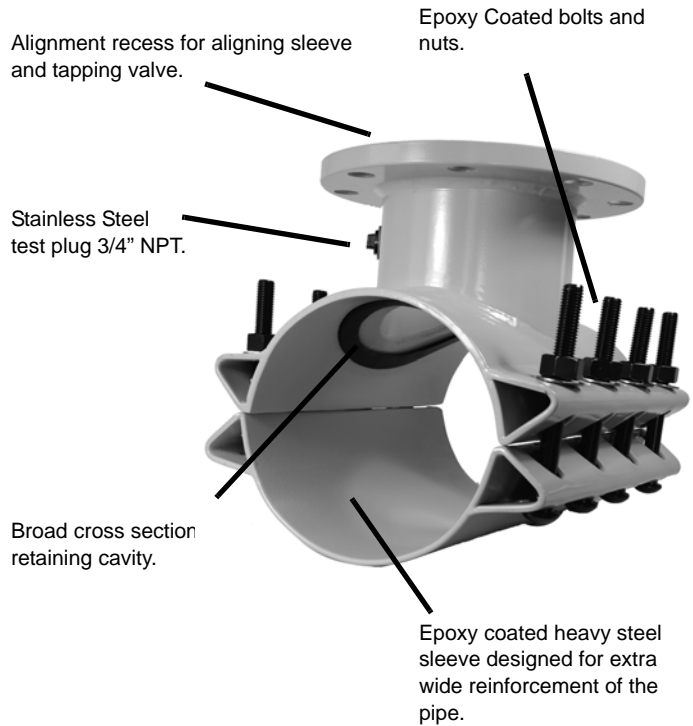
JCM Sleeves are designed extra wide for reinforcement to the main, to spread the load over a wider area and to provide stability during the tapping process.

### Stronger - yet lighter than Cast Sleeves

Extra strength provides an extra margin of safety against damage to the sleeve in handling and installation, or due to concentrated stress. Reduced weight speeds installation and reduces the load placed on the pipe.

### Ease Of Assembly Assures Proper Installation

Simplicity of design permits JCM Tapping Sleeves to be installed with minimum of crew, equipment, time and experience.



## MATERIAL SPECIFICATIONS - JCM 422 TAPPING SLEEVE

**BODY:** ASTM 285 Grade C, ASTM A-36 Steel or equal.

**BOLTS:** 5/8" Corrosion resistant, high strength low alloy oval neck track head bolt per ASTM A242/ANSI 21.11/AWWA C-111 and heavy hex nut per A563 epoxy coated, Powercron 590-534. Optional: Stainless Steel 18-8 304 or 316 available.

**FLANGE:** AWWA C207 Class D, ANSI 150 lb. Drilling, recessed for tapping valve MSS-SP60.

**GASKET:** Nitrile Butadiene Rubber (NBR, Buna-N) per ASTM D2000. Molded virgin rubber with a pressure activated hydro mechanical design. Gasket is bonded into a cavity for internal and external retention. Gasket temperature range -40°F to 212°F (-40°C - 100°C) Gasket suitable for water, salt solutions, mild acids, bases, and sewage.

**FINISH:** Fusion applied epoxy coating, minimum 12 mils thickness per ANSI/AWWA C-213.

**SERVICE RATING:** 4" to 12" Outlets: 175 PSI. Higher service rating available for specific applications and sizes.

JCM Tapping Sleeves meet or exceed the ANSI/AWWA C-223 and the MSS-SP 124 Standards as applicable.

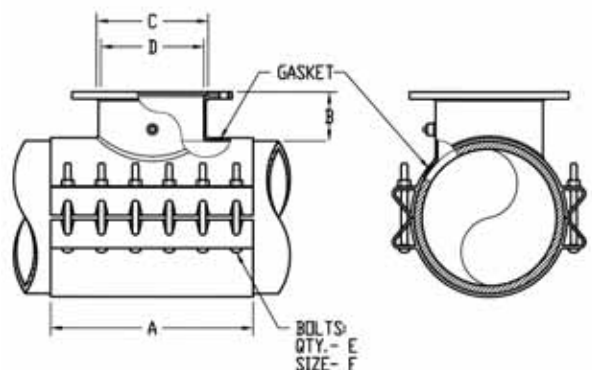


## 422 TAPPING SLEEVE DIMENSIONS

FLANGE SIZE	A	B	C	D	E	F
3	9*	5	4-1/32	3-1/2	6	5/8
4	9*	5	5-1/32	4	6	5/8
6	12	5	7-1/32	6-1/8	8	5/8
8	15	5-1/8	9-1/32	8-1/8	10	5/8
10	21	5-1/2	11-1/16	10-1/4	14	5/8
12	24	5-3/4	13-1/16	12-1/4	16	5/8

NOTE: 422 Tapping Sleeves requires a standard 1/2" undersize cutter be used.

\* 3", 10" & 12" Nominal pipe sizes - dimension A is 12".



## JCM 422 Carbon Steel Tapping Sleeves for PVC & Steel Pipe

TYPE AND CLASS OF PIPE	NOM. PIPE SIZE (IN.)	O.D. RANGE (IN.)	CATALOG NUMBER	ADD OUTLET SIZE	APPR. WT. EACH (LBS.)	
<b>PVC PIPE</b> IPS SIZED SDR 26, 21 SCH. 40 CLASS 200, CLASS 160	2	2.38 2.50	422-0238 422-0250	x 2	12	
	3	3.50	422-0350	x 3	18	
	<b>STEEL PIPE</b> IPS SIZES, SCHEDULE PIPE	4	4.50	422-0450	x 3 x 4	29 31
		5	5.56	422-0556	x 3 x 4	32 33
		6	6.63	422-0663	x 3 x 4 x 6	33 35 44
		8	8.63	422-0863	x 3 x 4 x 6 x 8	36 38 49 64
	10	10.75	422-1075	x 3 x 4 x 6 x 8 x 10	90 92 96 125 168	
	12	12.75	422-1275	x 3 x 4 x 6 x 8 x 10 x 12	98 100 104 140 176 216	
	<b>C-900 PVC ONLY</b> AWWA C-900 ALL CLASSES	3	3.96	422-0396	x 3	20
		4	4.80	422-0480	x 3 x 4	33 35
6		6.90	422-0690	x 3 x 4 x 6	38 40 60	
8		9.05	422-0905	x 3 x 4 x 6 x 8	43 45 56 71	
10		11.10	422-1110	x 3 x 4 x 6 x 8 x 10	90 92 96 125 168	
12		13.20	422-1320	x 3 x 4 x 6 x 8 x 10 x 12	98 100 104 140 176 216	

422 Tapping Sleeves are furnished with test plugs; standard fusion epoxy coated with epoxy coated low alloy bolts; require that a 1/2" undersized cutter be used.

### HOW TO ORDER - JCM TAPPING SLEEVES

- Determine O.D. of pipe.
- Select proper sleeve O.D. range.
- Specify catalog number and outlet size. JCM 422 is standard Epoxy Coated. Add (SS) for Stainless Hardware.  
Example: For PVC pipe with 8.63 O.D. with 6" outlet, order: 422-0863 x 6. For stainless steel hardware, add (SS).

