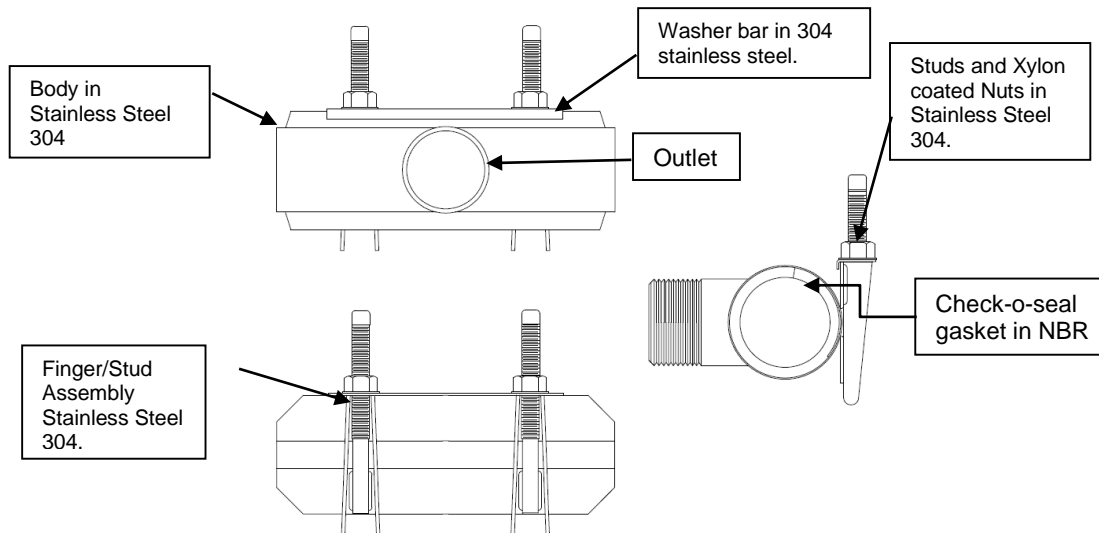


Scope

The intent of this specification is to receive a PowerStop saddle. The PowerStop furnished shall be equivalent to Model 3425 PowerStop saddle as manufactured by PowerSeal Pipeline Products Corporation.



SIZE	OD	PANEL GA	ARMOR PLATE WIDTH	AP GAUGE	NIPPLE HEIGHT	STUDS	SIZE	OD	PANEL GA	ARMOR PLATE WIDTH	AP GAUGE	NIPPLE HEIGHT	STUDS
3/4	0.88	24	2"	20 GA	1 1/2	1/2" X 6 1/2"	4	4.06	22	3"	20GA	3 1/8	5/8" X 7"
1	1	24			4.08			22					
	1.05	24			4.13			22					
	1.13	24			4.5			22					
	1.32	24			4.8			22					
1 1/4	1.38	24	1 1/2		5		5.13	22					
1 1/2	1.5	24	2 1/4		5.56		22						
	1.63	24			6		6.13	22					
	1.66	24			6.63		22						
	1.9	24			8		8.13	22					
2	2	24	2 1/2	8.62	22								
	2.13	24		10	10.75	22							
	2.38	24		11.1	22								
	2.5	24		12	13.2	22							
	2.75	24		12.75	22								
2 1/2	2.63	22	3"	14	14	22							
	2.88	22		DOUBLE PANEL									
3	3.13	22	3 1/8	18	20	22							
	3.5	22		24 IPS	24	20							
	3.65	22											
	3.8	22											
	3.96	22											



Features and Benefits

1. The complete tapping saddle is constructed of 304 Stainless Steel and shall be fully passivated to return the welded stainless steel to its original corrosion resistance state.
2. Outlets, MIP type threading and protected during manufacture against dents, nicks, or damage.
3. Built in range allows reduction of inventory.
4. 360° complete full circle Check-o-seal gasket provides protection against leaks.

Design and Material Specification

1. The tapping saddle shall meet or exceed all material specifications as listed below.
2. The tapping saddle shall have a complete circle gasket permanently attached to the sleeve at the factory. The complete circle gasket shall be our patented check-o-seal design in NBR.
3. The MIP outlet to shell connections are double welded. Outer structural weld GMAW (mig) and inner fusion weld GTAW (tig).
4. Finger Stud sub-assembly shall be structurally welded GMAW (mig) as one separate unit and in turn to the shell GTAW (tig).
5. The Armor plates shall be bonded to the gasket.
6. There shall be no paper or plastic adhesive labels attached to the tapping sleeve, any information appearing on the sleeve shall be stenciled.

Material Specifications		
Part Name	Material	Mat. specs
MIP Outlet	Stainless Steel type 304	ASTM A240
Panel	Stainless Steel type 304	ASTM A240
Finger/Stud	Stainless Steel type 304	ASTM A240
Washer Bar	Stainless Steel type 304	ASTM D2000
Check-o-Seal	NBR	ASTM D2000
Stud	Stainless Steel type 304	ASTM A193
Nuts	Stainless Steel type 304	ASTM A194

