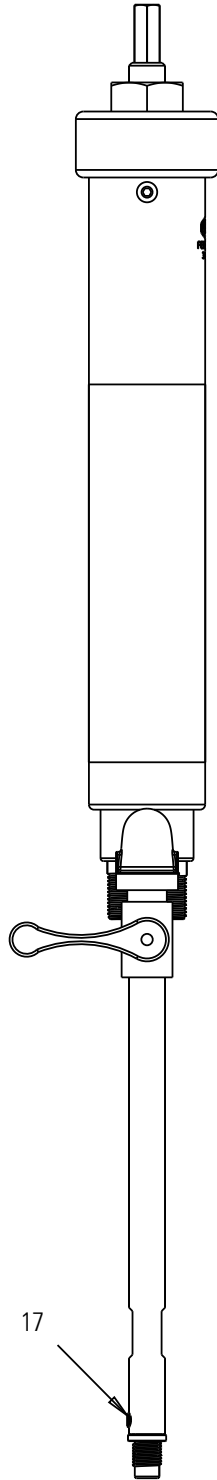
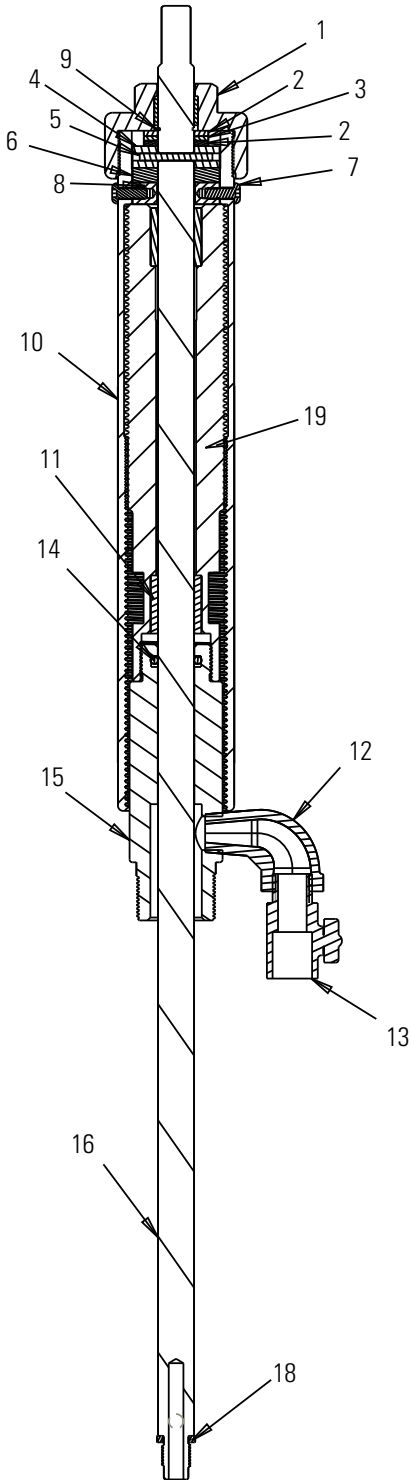




PIPE TOOLS & VISES  
SINCE 1896

# Feed Tap™

## Replacement Parts



ITEM	DESCRIPTION	ITEM CODE	QTY.
1	FEED NUT CAP ASSEMBLY	99272	1
2	BEARING THRUST WASHER	49161	2
3	NEEDLE THRUST BEARING	49160	1
4	FEED THRUST WASHER	99162	1
5	1/8 x 1 1/4" HEAVY NATURAL SPIROL PIN	30000	1
6	RULAN BEARING WASHER	49163	1
7	BUTTON HD SOC CAP SCR	39161	2
8	RETRACTION THRUST WASHER	99163	1
9	BEARING RETAINING RING	49162	1
10	FEED NUT	99261	1
11	PLAIN BRONZE BEARING	99103	1
12	3/8" NPT 90° ST. ELBOW	49142	1
13	3/8" BLEED OFF VALVE	48161	1
14	O-RING	39119	1
15	CYLINDER, MAIN SEALING UNIT	99102	1
16	SHAFT	99260	1
17	1/4-20 x 1/4" LG HALF DOG POINT	36462	1
18	THREADED WASHER	99101	1
19	FEED SCREW ASSEMBLY	99274	1

Reed Manufacturing Company  
1425 West 8th Street  
Erie, PA 16502 USA



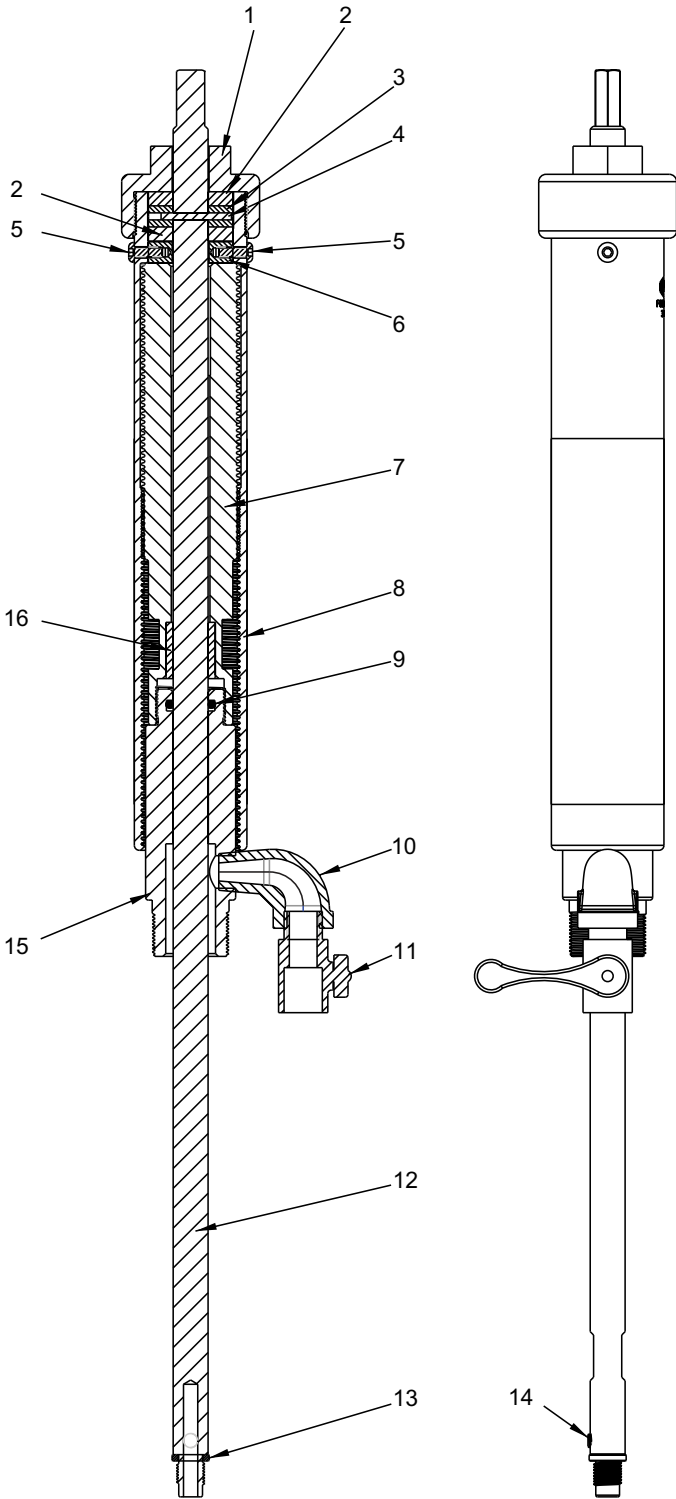
Phone: 800-666-3691 or 814-452-3691  
Fax: 800-456-1697 or 814-455-1697  
www.reedmfgco.com



PIPE TOOLS & VISES  
SINCE 1896

# Feed Tap™ (Old Style)

For Units Manufactured Before March 2013 - Replacement Parts



ITEM	DESCRIPTION	ITEM CODE	QTY.
1	FEED NUT CAP	99262	1
2	BEARING	49163	2
3	WASHER, FEED THRUST	99162	1
4	1/8 X 1-1/4" HEAVY DUTY SPIROL PIN	30000	1
5	#10-32 X 1/2" L BUTTON HEAD SOCKET CAP	39161	2
6	WASHER, RETRACTION THRUST	99163	1
7	FEED SCREW	99264	1
8	FEED NUT (Independent Feed Control)	99261	1
9	O-RING	39119	1
10	3/8" NPT 90 DEG. STREET ELBOW	49142	1
11	3/8" BLEED-OFF VALVE	48161	1
12	SHAFT	99260	1
13	THREADED WASHER	99101	1
14	1/4-20 X 1/4" LONG SET SCREW	36462	1
15	CYLINDER, MAIN SEALING UNIT	99102	1
16	BRONZE BUSHING	99103	1
17*	CASE WITH DIE-CUT FOAM	40500	1

\*case not shown

Reed Manufacturing Company  
1425 West 8th Street  
Erie, PA 16502 USA

**QUALITY**  
**& Service**  
that Last a Lifetime

Phone: 800-666-3691 or 814-452-3691  
Fax: 800-456-1697 or 814-455-1697  
www.reedmfgco.com